

DC Motor Controller ST-3S Brush DC Motor Controller



USES

Control of brush motors, series motors for electric tricycle, electric machinery and equipment, recreation vehicle, floor sweeper, system, ceramic machine, throwing cars, brick car, clean cars, solar boats

ST-3	S	/□	□	-□	-□
1	2	3	4	5	6
1	Product type				
2	S: Hall accelerator control; D: Potentiometer control; R: Soft-start				
3	C: Manual cruise function; G: Prevent loss of control; B: Without zero start				
4	Rated voltage				
5	Rated power				
6	Input plug type A: 6.3 plug; B: 2.8 snap spring				

USE OF THE ENVIRONMENT

Ambient temperature	-30~+85℃
Relative humidity	+20℃ 98%
the vibration frequency of the	3G, 1 ~ 50Hz 0.5mm amplitude
Altitude	2000m
Installation direction	Random
International protection	IP55

ORDER INSTRUCTION

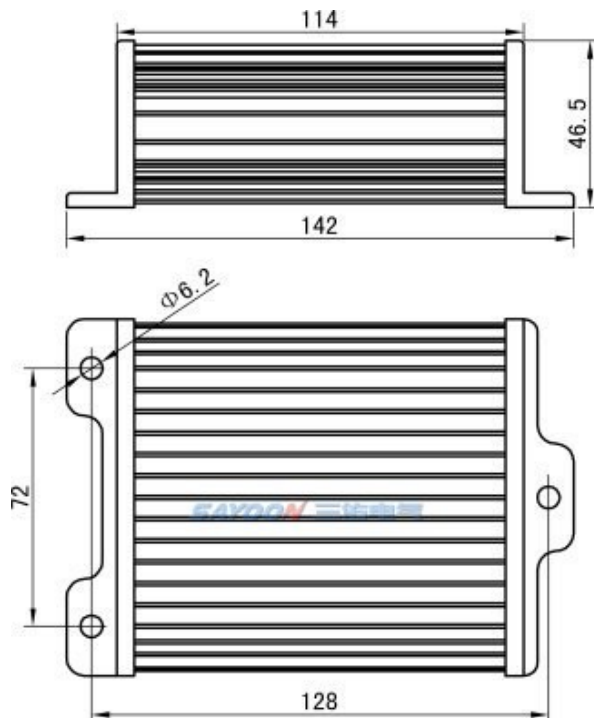
U.N.W.	403g
Package QTY.	50 PCS
Meas.(cm)	59*32*31
G.W.	25kg
N.W.	23kg

TECHNICAL PARAMETERS

(Version 1.46)

SAYOON Product Type	ST-3S
Rated power	1000W;1500W;2000W
Rated voltage	12V;24V-36V;48V-60V;72V;84V;96V
Rated current(A)	35A;50A;70A
Throttle signal types	0.8-4.2V; 0-5k
Effective control of voltage range	1.8-3.5V
Rated power loss	≤5W
Throttle interface type	Three-wire 2.8 insert(default), Three-wire 6.3 insert
Testing organization certification	CE,FCC

INSTALLATION DIAGRAM



WIRING DIAGRAM

